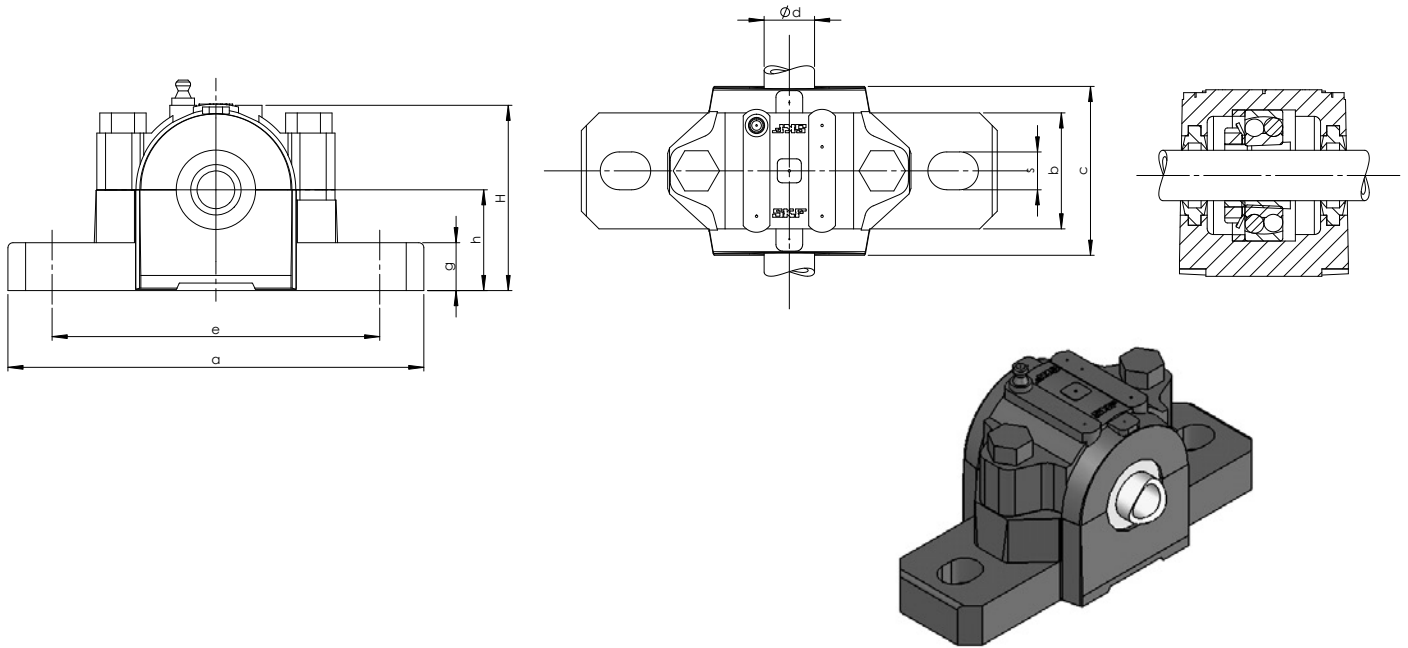


Pedestal bearings SN

The pedestal bearings conforming to DIN 736 come complete with roller bearing, retaining bush and case with felt seals on both sides. These pedestal bearings are very well suited to the intermediate support of our GX and ZR universal joint shafts when these are very long. The retaining bush can be fixed to the outer diameter of the tube. The pedestal bearing is supplied as a movable bearing if nothing in particular is specified.



Size	Ø d	H	h	e	S	C	a	b	g (max)	Weight kg
SN 505-20	20	75	40	130	15	67	165	46	19	1.4
SN 506-25	25	90	50	150	15	77	185	52	22	1.98
SN 507-30	30	110	50	150	15	82	185	52	22	2.1
SN 508-35	35	110	60	170	15	85	205	60	25	3.1
SN 509-40	40	115	60	170	15	85	205	60	25	2.9
SN 510-50	50	130	60	170	15	90	205	60	25	3.3
SN 511-55	55	135	70	210	18	95	255	70	28	4.6
SN 512-60	60	150	70	210	18	105	255	70	30	5.4
SN 513-65	65	155	80	230	18	110	275	80	30	6.7
SN 515-70	70	175	80	230	18	115	280	80	30	7.3
SN 516-75	75	185	95	260	22	120	315	90	32	9.3
SN 517-80	80	195	95	260	22	125	320	90	32	9.8
SN 518-90	90	215	100	290	22	145	345	100	35	12.5
SN 520-100	100	240	112	320	26	160	380	110	40	15.5
SN 522-110	110	270	125	350	26	175	410	120	45	19.8