



NEFF
GEWINDETRIEBE

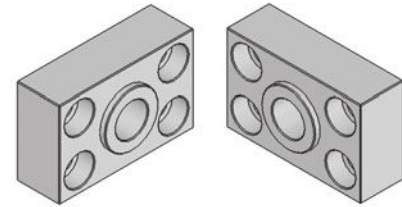
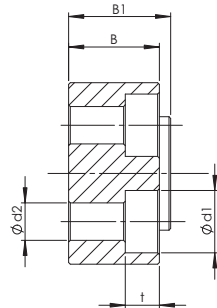
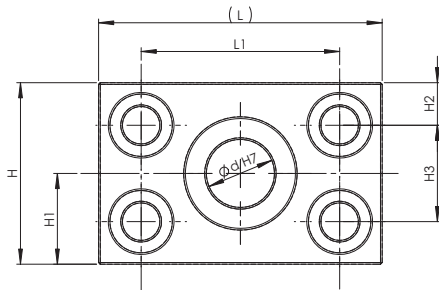
**Screw Drives
Worm Gear Screw
Jacks**

03/2012

Universal joint bearings

Universal joint bearing flange

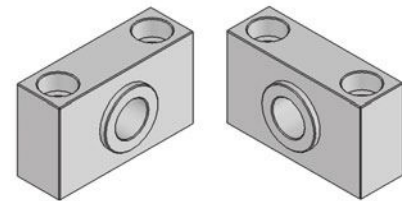
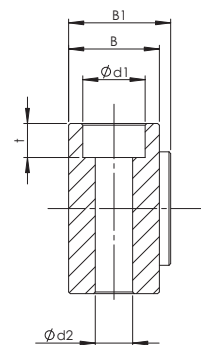
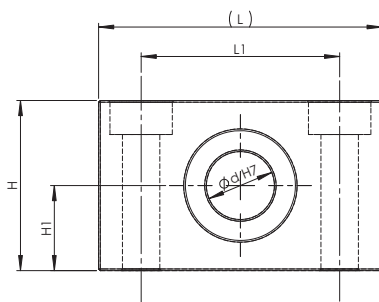
for mounting a universal joint adaptor or a universal joint bearing.



Size	$\varnothing d^{H7}$	$\varnothing d_1$	$\varnothing d_2$	t	B	B_1	H	H_1	H_2	H_3	L	L_1
KLF-0	10	11	6.6	6.8	15	16	32	16	7.5	17	50	35
KLF-1	15	15	9	9	19	21	36	18	9	18	65	45
KLF-2	20	15	9	9	19	21	40	20	10	20	70	50
KLF-3	25	18	11	11	19	21	54	27	12	30	80	58
KLF-4	35	20	13.5	13	30	32	70	35	15	40	100	70
KLF-5	45	33	22	21.5	39	41	80	40	20	40	140	100
KLF-200	70	48	33	32	49	51	125	62.5	30	65	220	160
KLF-300	80	57	39	38	62	66	144	72	34	76	245	180
KLF-400	80	57	39	38	62	66	144	72	34	76	245	180
KLF-500	90	66	45	44	80	82	160	80	40	80	28	200

Universal joint bearing pedestal

for mounting a universal joint adaptor or a universal joint bearing.



Size	$\varnothing d^{H7}$	$\varnothing d_1$	$\varnothing d_2$	t	B	B_1	H	H_1	L	L_1
KLB-0	10	11	6.6	6.8	16	18	30	15	50	35
KLB-1	15	15	9	9	20	22	34	17	65	45
KLB-2	20	15	9	9	20	22	38	19	70	50
KLB-3	25	18	11	11	20	22	54	27	80	58
KLB-4	35	20	13.5	13	30	32	70	35	100	70
KLB-5	45	33	22	21.5	40	42	80	40	140	100
KLB-200	70	48	33	32	63	64.5	124	62	220	160
KLB-300	80	57	39	38	63	64	144	72	245	180
KLB-400	80	57	39	38	63	64	144	72	245	180
KLB-500	90	66	45	44	80	82	160	80	28	200